

Usage of SPI interface in applications with MEMS components

Babiuch Marek¹ and Škuta Jaromír

Využití SPI rozhraní v aplikacích s MEMS komponenty

The paper deals with description of accelerometer and gyroscope work. The application is designed for communication testing with master system. Testing application uses communication of microcontroller and digital gyroscopes and cooperates with LCD touch screen through USB bus. Application is created for property gyroscopes testing, data acquisition and its other processing to implement these components in inertial systems. This contribution describes method of data transfer from MEMS component to PC, design and realization of communication between tri-axis gyroscope system and computer. One of contribution chapters is dealing with design of measuring chain and its technical support. The following part describes application, which was created at Control Web 5 environment. The application provides monitoring of actual values from particular axis of gyroscopes.

Key words: Control web, Digital gyroscope, SPI, USB, MEMS.

Introduction

Requirements on communication with sensors increase together with technological development of communication interface. This situation calls for usage of sensors with digital output more often. That allows connection of particular sensors on common bus and communicates with superior system. The members on the lowest level (memories, microcontrollers, sensors, etc.) communicate between themselves via standardized bus (I2C, SPI, etc.). These buses allow Master – Slave communication between each other. Designed system contains following: Master device is in that case RISC processor from Microchip company and Slave devices is represented by gyroscopes and accelerometers. Master device will make data acquisition and then will provide data to superior system through the ILAN.

Micro-Electro-Mechanical Systems (MEMS) is the integration of mechanical elements, sensors, actuators, and electronics on a common silicon substrate through micro fabrication technology. The goal of project is creating of system of three gyroscopes and accelerometers, which communicates with main module on the microcontroller platform. Main module provides interface for data transfer from individual sensors into evaluating device through the ILAN. Algorithm of reading from individual sensors is implemented in standalone microcontroller. The whole system will be designed regarding to maximal miniaturization at the level of sensors and also at the level of touch screen device. Each of digital gyroscopes contains two analog inputs, which can use and make available to higher level through SPI bus. Tri-axis system of gyroscope has been used for application. Application provides transfer of measured data through SPI interface. System includes 3 pieces of gyroscope and allows measuring of angular speed at all three axis(x,y,z). These values are measured by 12 bits converters. 8 bits registers are defined for particular axis, in which upper and bottom byte of particular converters are stored. Applied circuit contains control registers, which allow configuring concrete measured system. Here is required a possibility of connection of SCADA/MMI system for other data processing. Standalone PIC chip is used as a “bridge”. Personal computer or notebook contains USB as a standard interface and therefore we need to implement RS232/USB converter. Another requirement was to minimize the whole system that is why SMD component was used. Implementation of various numbers of components is quite difficult and this solution requires technical equipment support.

It is necessary to use following technical equipment for testing and realization of this solution. These allow testing and debugging of communicating protocols on the both side of communication: microchip <—> three-axis gyroscope system and microchip <—> PC. Logic analyzer ETC M611 was used for real time debugging of data transfer. It can be connected through the USB or LPT interface. For SPI signal evaluation (/CS, CLOCK, DI, DO) M611 software (shipped with analyzer) was used. USB interface was used for debugging. Oscilloscope Tektronix TDS 210 was also used for communication monitoring between communication unit and PC. There is a possibility to use for monitoring any kind of software, which allows service of serial interface.

¹ Ing. Babiuch Marek, PhD., Ing. Škuta Jaromír, PhD., Department of Control Systems and Instrumentation, VSB - Technical University of Ostrava, Czech Republic, marek.babiuch@vsb.cz, jaromir.skuta@vsb.cz
(Recenzovaná a revidovaná verzia dodaná 28. 11. 2007)

Tri-axis accelerometer Kionix

These high-performance silicon micro machined linear accelerometer and inclinometer consist of a sensor element and an ASIC packaged in a 3x5x0.9 mm Land Grid Array (LGA). The KXPS5 series is designed to provide a high signal-to-noise ratio with excellent performance over temperature. These sensors can accept supply voltages between 1.8 V and 5.25 V. Sensitivity is factory programmable allowing customization for applications requiring from ± 1.5 g to ± 6.0 g ranges. Sensor bandwidth is user-definable. Interrupts can be generated for acceleration on any axis above a threshold value (Motion Interrupt) or for acceleration on all three axis below a threshold value (Free-fall Interrupt). Voltage is digitized by an on-board A/D converter and is accessed via an inter-integrated circuit (I2C) bus or serial peripheral interface (SPI) (Kionix, 2007).

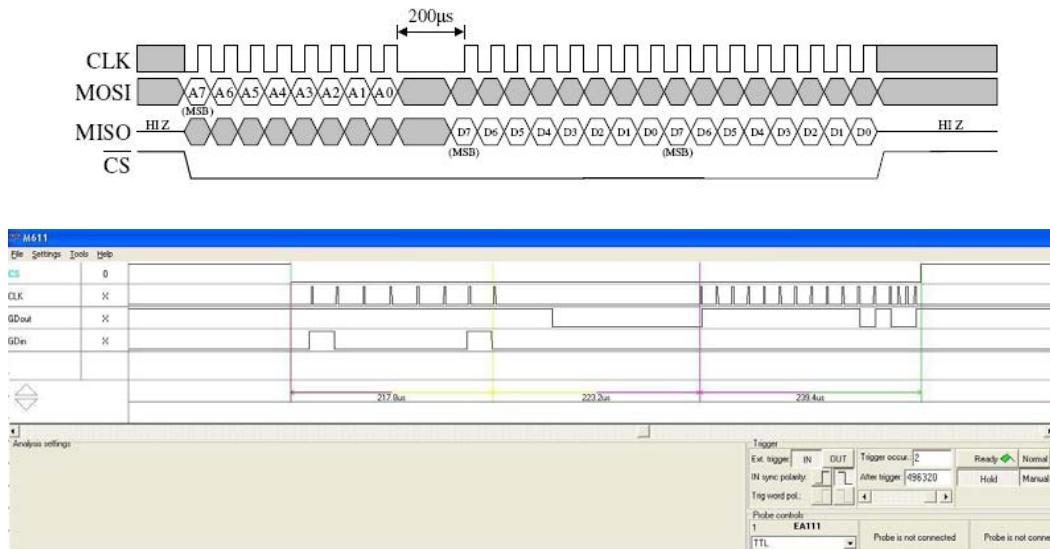


Fig. 1. Timing diagram for A/D conversion and read operation (upper), testing of 4 accelerometer signal running by logic analyzer (bottom).

Characteristics of digital gyroscope

This gyroscope is a complete angular rate sensor with internal temperature sensor that uses the Analog Devices surface-micromachining process to make a functionally complete angular rate sensor with SPI interface.

The digital data available at the SPI port is proportional to the angular rate about the axis normal to the top surface of the device, which is in an 8.2 mm \times 8.2 mm \times 5.2 mm, 16-terminal, peripheral LGA package (Analog Devices, 2007).

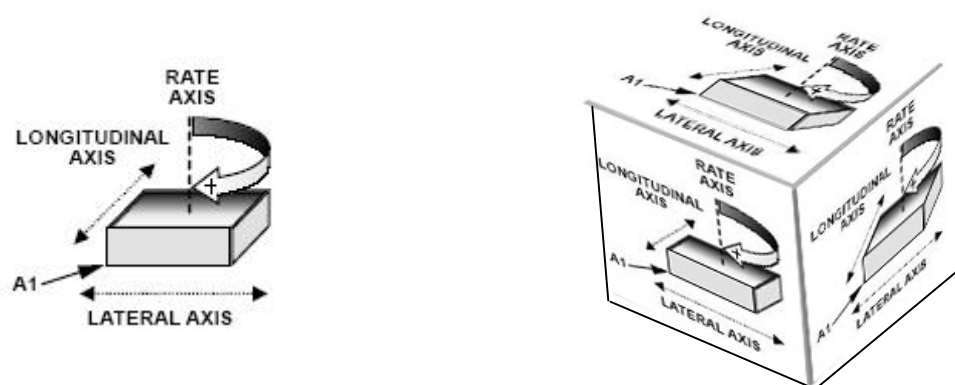


Fig. 2. Principle of one-axis rate-sensing gyroscope and design of 3D cube with 3 gyroscopes.

Design of connection tri-axis system of gyroscopes and PC

This measuring chain consists of three parts. The first part is the evaluation board with 3-axis gyroscopes system, which allows data providing through SPI interface. Second part of this measuring chain consists of a control unit based on standalone microcontroller PIC. The signals for SPI interface are generated here. Initialization, configuration for development board of the 3-axis gyroscopes system, and data processing for transferring data sent to serial interface and PC. The measured data are then processed in a computer for further presentation in the Control Web 5 environment.

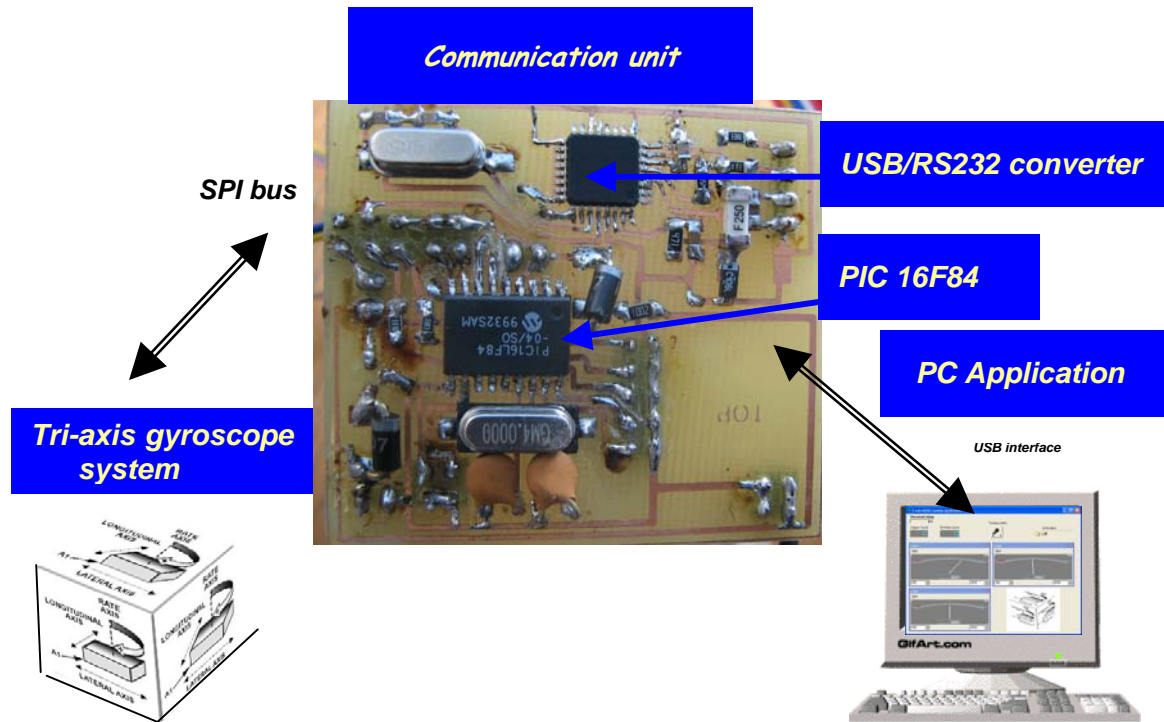


Fig. 3. Block scheme of measuring chain.

The basis of communication unit is a standalone microcontroller PIC (PIC16F84A - SMD). Tri-axis gyroscope system evaluation board of is connected to communication unit through SPI interface with four line wires:

/CS – chip select., CLOC – external clock generated by communication unit, DI – data line wire for data transfer from communication unit to board with 3-axis gyro system and DO – data line wire for data transfer from 3-axis gyro system board to communication unit.

The control words are necessary to be configured for all of three axes before their own measurement. Then we can read measured values at particular axis.

Communication protocol was created at C language compiler for microcontroller with embedded assembler support. Timing of protocol is depended on external clock crystal.

It was necessary to keep timing according to MEMS component specification (convert time, delay between address of registry sending and value reading, etc). After having received string processing information from SPI interface, data are sent to PC by RS232/USB convector. So USB interface is the physical layer between communication unit and computer.

This converter is used at virtual COM mode. The communication unit answers on request from superior computer by form of string, in which particular values from 12 bit converters of separated axis are encoded. Verified speed of this serial interface is 19200 Bps.

Testing task

Described system at paragraph 1 was realized only helping by analog gyroscopes in former times. In this project will be used the newest gyroscopes with digital output from Analog Devices company. Further

the final module will be extending with accelerometers, which will communicate with gyroscopes through the common bus.

Methods of project solution:

- Choice of suitable sensors and standalone computer for solution of goals of the project.
- Testing of communication of particular gyroscopes and accelerometers through the SPI bus.
- Design of communication protocol between main control module including microcontroller and particular gyroscopes and accelerometer.
- Design and specification of communication interface between main module and touch screen panel or PDA, IPC etc.
- Design of general ordering of particular sensors in the module which enable sensing of values in tree axis.
- Realization of particular printed circuit with a view to possibilities of common bus at the circuit level.
- Realization of prototype of three axis sensing module, which contains gyroscopes with digital output.
- Final testing of module in real operation.
- Implementation into production.

The first step was to test the gyroscope and connect it with master controller through SPI bus. Design and the realization of 3D cube followed. It took fixing gyroscopes to all 3 of axis measurement. This step also required connection of 3 gyroscopes and put them on the same common bus, which communicate with master microchip. Master microchip is connected with LCD touch screen through the USB bus then. This realization is described in the following contribution (Škuta, Babiuch, 2007). Realization of 3d cube is shown at the figure 4.

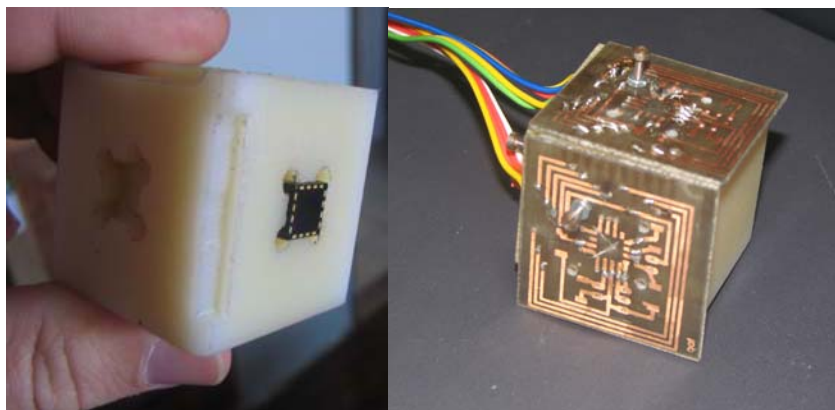
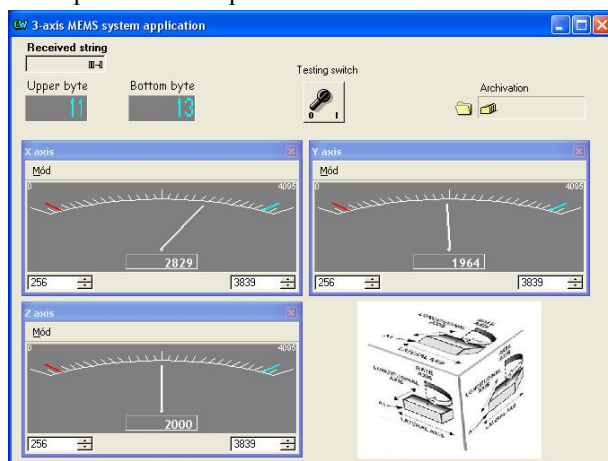


Fig. 4. 3D Cube including 3 pieces of gyroscopes.

Application in Control Web 5

The application was created in Control Web 5 environment, which allows monitoring and archiving of measured data (Control Web, 2007) Standard delivered driver was used for data transfer to serial interface. Although USB interface is used as the physical layer, it is possible to use ASCII driver for data transfer using virtual port. The computer controls communication and defines precise moments of measured data transfer



Monitoring is done with the help of SCADA/MMI standard components. An Application window for monitoring and archiving measured values in all tree axes is shown in following Fig. 5.

Fig. 5. An application window in Control Web 5.

Conclusion

Design of application for testing of digital gyroscopes is described in this paper. 3D cube model has been created and equipped with 3 pieces of gyroscopes which allows measure and data acquisition from 3 of gyroscopes simultaneously. Data are provided by the common bus and are under the control of microchip and this one provides data to LCD touch screen or PC through the USB bus after data processing. Another step of project is to connect and test accelerometer, which is implemented into the whole system.

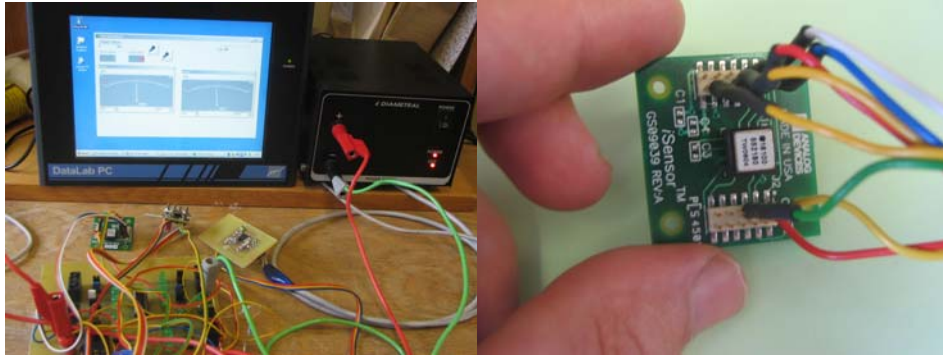


Fig. 6. Application with USB interface, LCD touch screen and digital gyroscopes working simultaneously (left), small development board with digital gyroscope (right).

Acknowledgement: The work presented in this paper was supported by Grant Agency FRVS under Grant No. 754/2007.

References

- Analog devices MEMS and Sensors - iMEMS Gyroscopes, 2007, [online] <http://www.analog.com>.
- KIONIX Mems inertial sensors, product specification, 2007, [online] <http://www.kionix.com>.
- Škuta, J., Babiuch, M.: Usage of serial interface for communication with MEMS components. In Proceedings of 8th International Carpathian Control Conference ICCC'2007. Štrbské Pleso: TU Košice, May 24-27, 2007, pp. 705-708. ISBN 978-80-8073-805-1.
- Control Web 5 CW 5 Development system specification - Moravské přístroje, a.s., 2007. <http://www.mii.cz>.
- Vacek, V.: Praktické použití procesoru PIC. Praha, 2007, BEN-technická literatura, ISBN 80-86056-56-7.